

Gerstenberg Schröder Continuous Butter Making Machine

BUTTER SYSTEM

GS Continuous Butter Making Machine Benefits:

The state of the art GS continuous butter making machine is designed with focus on product safety and easy maintenance using the latest manufacturing technology.

CONTINUOUS PRODUCTION

The capacity of the GS butter making machines ranges from 500 kg up to 12,000 kg butter/h.

SPECIAL FEATURES

The flow control through the working sections has been automated compared with the traditional manual operator-controlled machines. This offers not only a high degree of remote and automatic operation but also a great flexibility for control and optimization of the working intensity and moisture distribution during production. The butter making machines are all delivered with integrated cream preheating system as well as cooling system for buttermilk.

CIP

The GS butter machines are equipped with an integrated CIP system, thus there is no need for external CIP tanks, etc.

DEGREE OF AUTOMATION

The GS continuous butter making machine is delivered with an advanced PLC control system and operator interface for control of the butter making process, dosing of e.g. water, salt and culture as well as control of the integrated CIP system. Camera solution for remote view of the process, churning, separation and working.



DELIVERY

All functions are factory-tested before shipment reducing the installation and commissioning time and cost on site.

MATERIAL

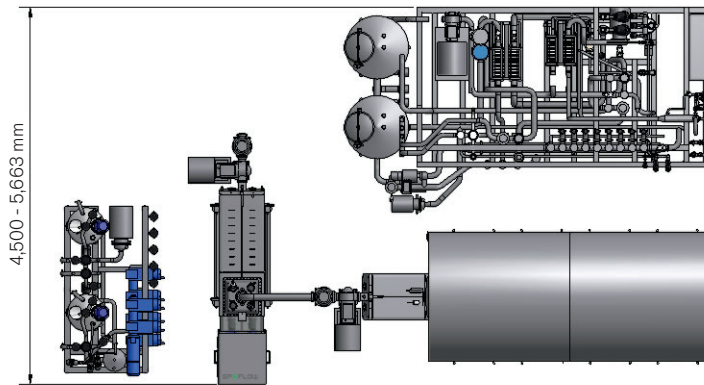
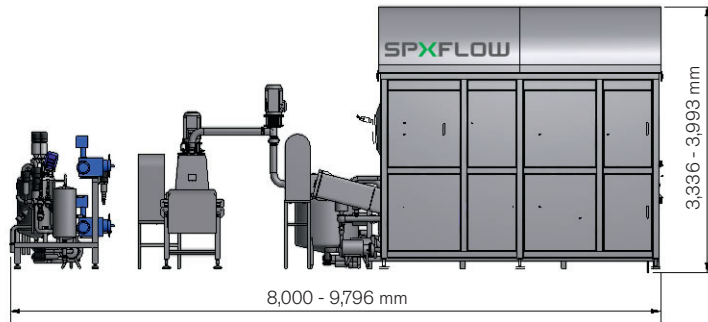
Product contacting parts are as minimum made of stainless steel AISI 304.

MOTORS

All sections are frequency regulated.

OPTIONS

It is possible to add a cold-mix system for the production of low fat or spreadable butter products.



GS continuous butter making machine

SPXFLOW

SPX FLOW Oestmarken 7, 2860 Soeborg, Denmark

P: +45 70 278 222, F: +45 70 278 223

E: gs.dk.sales@spxflow.com · www.spxflow.com

SPX FLOW reserves the right to incorporate our latest design and material changes without notice or obligation. Design features, materials of construction and dimensional data, as described in this bulletin, are provided for your information only and should not be relied upon unless confirmed in writing. Please contact your local sales representative for product availability in your region. For more information visit www.spxflow.com. The green ">" is a trademark of SPX FLOW, Inc.

GS-303-GB VERSION 02/2016 ISSUED 01/2017

COPYRIGHT © 2016 SPX FLOW, Inc.